

GENERAL INFO

SPARES & FITTINGS

Quality water filtration products need quality fittings

Puretec fittings are a fast and easy way to distribute a wide range of liquids and gases. The Puretec fittings have a unique oval-shaped collet, making it easier to grip, easier to connect and easier to disconnect. The rounded stainless teeth within the fittings are the secret to a perfect seal and a proprietary design minimises the wear on the tube, this allows for more frequent reuse of the tube and fittings.

PRODUCT LISTING



SmartTee™ for quick and easy installation

Kwik Connect™ | SmartTee™ Connector

Ordering Code	Description	Size
KASV47	Angle stop tee valve	1/4" Tube x 1/2" M x 1/2" F
KASV67	Angle stop tee valve	3/8" Tube x 1/2" M x 1/2" F



Kwik Connect™ | Elbow Adaptor

Ordering Code	Description	Size
KEA42	Tube to male thread	1/4" Tube x 1/8" M
KEA44	Tube to male thread	1/4" Tube x 1/4" M
KEA46	Tube to male thread	1/4" Tube x 3/8" M
KEA64	Tube to male thread	3/8" Tube x 1/4" M
KEA66	Tube to male thread	3/8" Tube x 3/8" M
KEA602	Tube to male thread	6 mm x 1/8" NPTM



Kwik Connect™ | Bulkhead Connector

Ordering Code	Description	Size
KBC44	Bulkhead connector	1/4" Tube x 1/4" Tube
KBC66	Bulkhead connector	3/8" Tube x 3/8" Tube
KBC77	Bulkhead connector	1/2" Tube x 1/2" Tube



Kwik Connect™ | Elbow Connector

Ordering Code	Description	Size
KEC44	Tube to tube	1/4" Tube
KEC55	Tube to tube	5/16" Tube
KEC66	Tube to tube	3/8" Tube
KEC77	Tube to tube	1/2" Tube



Kwik Connect™ | Two-way Divider

Ordering Code	Description	Size
KDR266	Two way divider	3/8" tube



Kwik Connect™ | End Stop

Ordering Code	Description	Size
KES4	End stop	1/4" Tube


Kwik Connect™ | Kitchen Faucet Adaptor

Ordering Code	Description	Size
KFA47	Kitchen faucet adaptor	1/4" Tube x 1/2"
KFA67	Kitchen faucet adaptor	3/8" Tube x 1/2"


Kwik Connect™ | Plug

Ordering Code	Description	Size
KPG06M	Plug	6mm stem
KPG08M	Plug	8mm stem
KPG12M	Plug	12mm stem


Kwik Connect™ | Locking Clip

Ordering Code	Description	Size
KLC4-10	Locking clip	1/4"
KLC4-10B	Locking clip, blue	1/4"
KLC6-10	Locking clip, red	3/8"
KLC6-10B	Locking clip, blue	3/8"


Kwik Connect™ | Reducer

Ordering Code	Description	Size
KRR54	Stem to tube	5/16" Stem x 1/4" tube
KRR64	Stem to tube	3/8" Stem x 1/4" tube
KRR76	Stem to tube	1/2" Stem x 3/8" tube


Kwik Connect™ | Straight Tap Connector

Ordering Code	Description	Size
KLTA1207MB	Tap connector, brass nut, straight	12mm Tube x 1/2" BSPF brass


Kwik Connect™ | Stem Enlarger

Ordering Code	Description	Size
KRR56E	Stem enlarger	5/16" Stem x 3/8" tube
KRR67E	Stem enlarger	3/8" Stem x 1/2" tube


Kwik Connect™ | Elbow Tap Connector

Ordering Code	Description	Size
KLTE1207MB	Tap connector, brass nut, elbow	12mm Tube x 1/2" BSPF brass


Kwik Connect™ | Reducing Straight Connector

Ordering Code	Description	Size
KRS64	Tube to tube	3/8" Tube x 1/4" tube
KRS76	Tube to tube	1/2" Tube x 3/8" tube


Kwik Connect™ | Reducing Tee Connector

Ordering Code	Description	Size
KRT46	Reducing tee connector	3/8" Tube x 1/4" tube x 3/8" tube branch


Kwik Connect™ | Straight Adaptor

Ordering Code	Description	Size
KSA42	Tube to male thread	1/4" Tube x 1/8" BSP
KSA44	Tube to male thread	1/4" Tube x 1/4" M
KSA46	Tube to male thread	1/4" Tube x 3/8" M
KSA47	Tube to male thread	1/4" Tube x 1/2" M
KSA54	Tube to male thread	5/16" Tube x 1/4" M
KSA56	Tube to male thread	5/16" Tube x 3/8" M
KSA62	Tube to male thread	3/8" Tube x 1/8" M
KSA64	Tube to male thread	3/8" Tube x 1/4" M
KSA66	Tube to male thread	3/8" Tube x 3/8" M
KSA67	Tube to male thread	3/8" Tube x 1/2" M
KSA76	Tube to male thread	1/2" Tube x 3/8" M
KSA77	Tube to male thread	1/2" Tube x 3/8" M
KSA1006M-PT	Straight adaptor	10 mm tube x 3/8" BSP (pt)
KSA1007M-PT	Straight adaptor	10 mm tube x 1/2" BSP (pt)


Kwik Connect™ | Straight Connector

Ordering Code	Description	Size
KSC44	Tube to tube	1/4" Tube
KSC55	Tube to tube	5/16" Tube
KSC66	Tube to tube	3/8" Tube
KSC77	Tube to tube	1/2" Tube
KSC0808M	Tube to tube	8 mm Tube


Kwik Connect™ | Single Check Valve

Ordering Code	Description	Size
KSCV44	Single check valve	1/4" Tube x 1/4" tube
KSCV66	Single check valve	3/8" Tube x 3/8" tube


Kwik Connect™ | Stem Elbow

Ordering Code	Description	Size
KSE44	Stem to tube	1/4" Stem x 1/4" tube
KSE55	Stem to tube	5/16" Stem x 5/16" tube
KSE64	Stem to tube	3/8" Stem x 1/4" tube
KSE65	Stem to tube	3/8" Stem x 5/16" tube
KSE66	Stem to tube	3/8" Stem x 3/8" tube
KSE77	Stem to tube	1/2" Stem x 1/2" tube
KSE0808M	Stem to tube	8 mm tube


Kwik Connect™ | Stem Adaptor

Ordering Code	Description	Size
KSM44	Stem to male thread	1/4" Stem x 1/4" M
KSM46	Stem to male thread	1/4" Stem x 3/8" M
KSM54	Stem to male thread	5/16" Stem x 1/4" M
KSM56	Stem to male thread	5/16" Stem x 3/8" M
KSM64	Stem to male thread	3/8" Stem x 1/4 M (NPTF)
KSM66	Stem to male thread (As used in CO Series systems)	3/8" Stem x 3/8" M
KSM67	Stem to male thread (As used in CO Series systems)	3/8" Stem x 1/2" M
KSM76	Stem to male thread	1 1/2" Stem x 3/8" BSPM
KSM77	Stem to male thread	1/2" Stem x 1/2" M



KSOV44



KSOVE44N

Kwik Connect™ | Shutoff Valve

Ordering Code	Description	Size
KSOV44	Shutoff ball valve	Straight 1/4" tube x 1/4" tube
KSOV44N	Shutoff ball valve	Straight 1/4" tube x 1/4" M
KSOV66	Shutoff valve	Straight 3/8" tube x 3/8" tube
KSOV66N	Shutoff ball valve	Straight 3/8" NPTF x 3/8" tube
KSOV77	Shutoff valve	Straight 1/2" tube x 1/2" tube
KSOVE44N	Shutoff valve	Elbow 1/4" tube x 1/4" F
KSOVE64N	Shutoff valve	Elbow 3/8" tube x 1/4" F


Kwik Connect™ | Tap Adaptor

Ordering Code	Description	Size
KTA42	Tap adaptor	1/4" Tube x 1/8" NPT
KTA44	Tap adaptor	1/4" Tube x 1/4" F
KTA47	Tap adaptor	1/4" Tube x 1/2" F
KTA48	Tap adaptor (faucet adaptor)	1/4" Tube x 7/16" F
KTA49	Tap adaptor	1/4" Tube x 3/4" F
KTA57	Tap adaptor	5/16" Tube x 1/2" F
KTA64	Tap adaptor	3/8" Tube x 1/4" F
KTA66	Tap adaptor	3/8" Tube x 3/8" F
KTA67	Tap adaptor	3/8" Tube x 1/2" F
KTA68	Tap adaptor (faucet adaptor)	3/8" Tube x 7/16" F
KTA76	Tap adaptor	1/2" Tube x 3/8" F
KTA77	Tap adaptor	1/2" Tube x 1/2" F
KTA0806M	Tap adaptor	8 mm tube x 3/8" BSPF


Kwik Connect™ | Tap Adaptor

Ordering Code	Description	Size
KTA69	Tap adaptor	3/8" tube x 3/4" F


Kwik Connect™ | Tee Connector

Ordering Code	Description	Size
KTB44	Tap adaptor brass	1/4" tube x 1/4" FFL


Kwik Connect™ | Tee Connector

Ordering Code	Description	Size
KTC44	Tube to tube	1/4" Tube
KTC55	Tube to tube	5/16" Tube
KTC66	Tube to tube	3/8" Tube
KTC77	Tube to tube	1/2" Tube
KTC0808M	Tee connector	8 mm tube

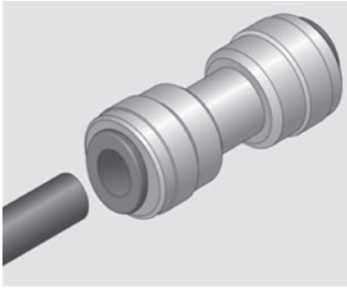

Kwik Connect™ | Stem Run Tee

Ordering Code	Description	Size
KTS66	Stem run tee	3/8" Tube

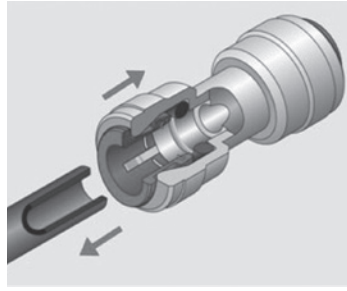
Accredited by



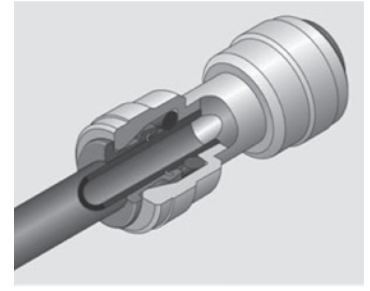
HOW TO CONNECT



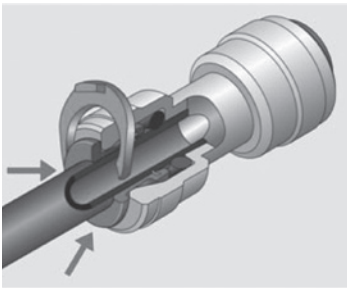
Step 1.
Cut the part of the tube to be inserted into the fitting to plane the end.
Make sure to use a clean tube without any foreign material or cracks.



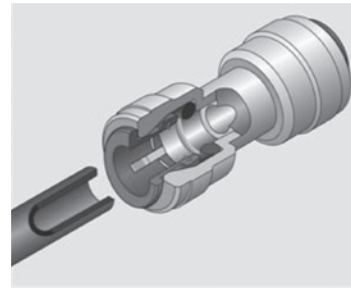
Step 2.
When inserting the tube, remove any obstructions before fully inserting the tube. Make sure the tube is fully inserted.
Inserting the tube into the fitting only takes moderate force. The tube or fitting should not be scratched or damaged in the process, as this is the main cause for water leaks later on.



Step 3.
To make sure that the fitting is properly connected to the tube, pull it once. After pulling, insert a spanner under the collet and push the tube into the fitting once more for a complete insertion.



Step 4.
In sensitive applications use our KLC Locking clips to eliminate any inadvertent tampering with the collet and potential release of the fitting.



Step 5.
Make sure to completely eliminate pressure before disassembling the fitting.
When disassembling the tube, push the clip in the direction of the main assembly and then pull the tube out for easy disconnection. Fittings and tubes can be reused.

PRODUCT LISTING

Fittings Working Pressure & Temperature

	Size	Small Size						Large Size				
		5/32"	3/16"	1/4"	5/16"	3/8"	1/2"	5/8"		7/8"		28mm
		4mm	5mm	6mm	8mm	10mm	12mm	15mm	16mm	18mm	22mm	
Temp.	1°C	1600 kPa (230 psi)			1100 kPa (170 psi)			1100 kPa (170 psi)				
	20°C	1600 kPa (230 psi)			1100 kPa (170 psi)			1100 kPa (170 psi)				
	65°C	1000 kPa (150 psi)			700 kPa (100 psi)			700 kPa (100 psi)				

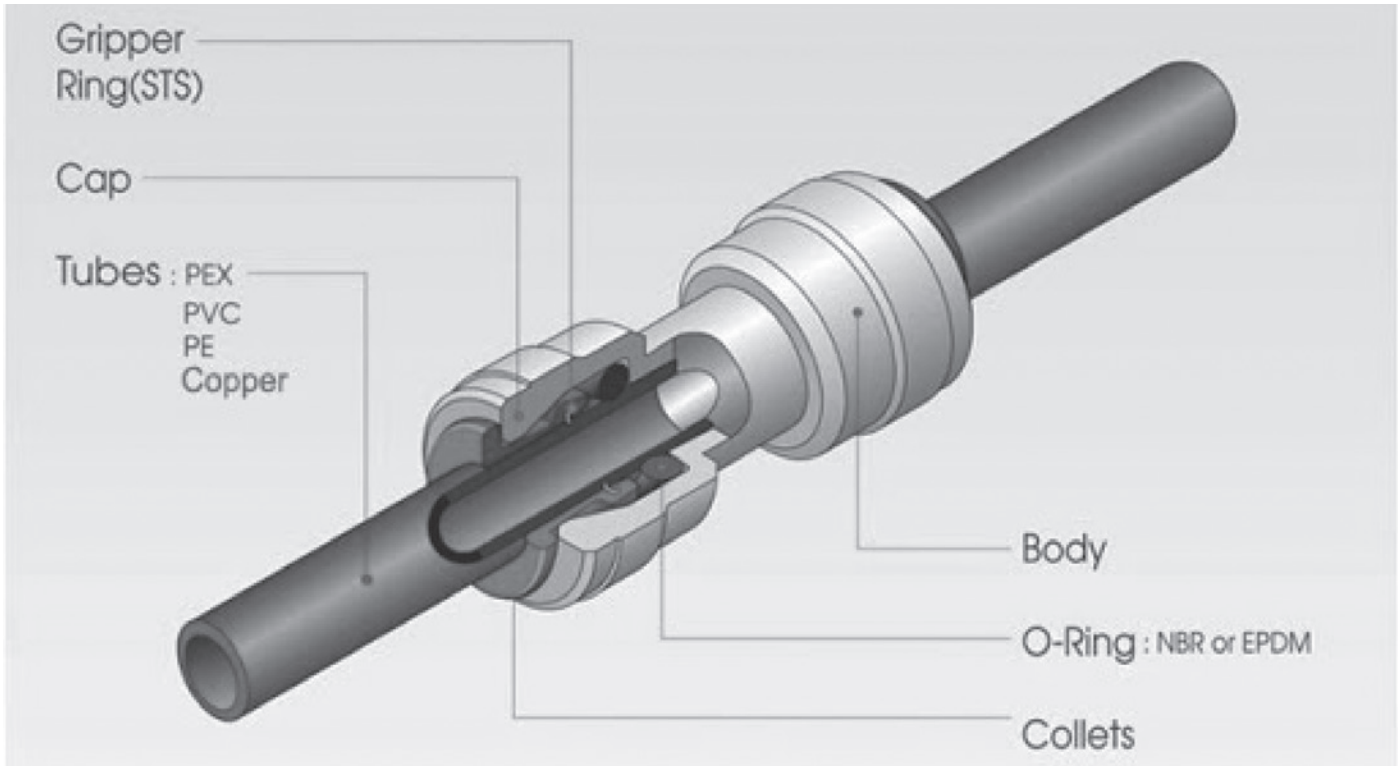
Maximum Permissible Torque

	Thread	1/8", 1/4"		3/8", 1/2"		3/4"
Maximum Torque (Nm)	Plastic	1.5		3		4
	Steel	7.0~9.0	12.0~14.0	22.0~24.0	28.0~30.0	40

Material & Structure

Material	Fitting Colour	O-ring
Acetal / Polyoxymethylene (POM)	White, Grey, Black	NBR, EPDM
Polypropylene (PP)	White	EPDM

FITTINGS CONFIGURATIONS & MATERIALS



WARNINGS & PRECAUTIONS

- Fittings are not recommended for use with liquids other than water and food or beverage products. Where fittings may be used with other chemicals contact Puretec for advice.
- Do not disassemble or modify the individual product, as this may cause a product malfunction, leak, or failure and voids the product warranty.
- Do not over-stress the fitting by rotation, twist, bending, shock, fatigue, or other excess force. This may damage the fitting and cause malfunction, leak, or failure and voids the product warranty.
- Do not use the product where ambient temperature or fluid temperature exceeds 65°C. This may damage the fitting and cause malfunction, leak, or failure and voids the product warranty.
- Do not use liquid adhesives/liquid thread sealers. Only use Teflon tape to seal threaded connections.
- If your plumbed line is used as an electrical ground, you must use a jumper wire to provide continuity across plastic fittings and tubing.
- Never press the collet toward the body unless attempting to separate tubing from a fitting in an unpressurised line. The use of the Puretec Locking Clip is advised to restrict inadvertent disassembly of connections.
- Puretec reserves the right to modify the product from time-to-time as required for quality improvement and as per market requirements. Actual products may differ from pictures shown.
- Connecting Puretec fittings to tubing or connecting elements other than Puretec products is not warranted for performance. Always perform any checks and testing necessary to verify acceptable function.
- Before making any tube connection, verify that the end of the tube has been cut squarely and there are no scratches on the tube O.D within 30mm of the end.
- When making a tube connection, occasionally a gripping of the tube may occur just as the tube begins to pass through the o-ring, although the seal is not yet made. In this case, continue to push the tube deeper into the fitting to complete a secure connection. Failure to completely seat the tube into the fitting may cause a leak.
- When using metallic tubing, deburr the tube ends to avoid potential cutting or other damage to the o-ring.
- After assembling a tube connection, tug with moderate force to check the fitting is holding the tube securely.
- Before disassembling tube connections, always verify that pressure has been removed from the system.
- When disassembling tube connections, always press the collet evenly toward the body and then pull the tube. If a locking clip is used, remove the locking clip before attempting to separate a tube connection.
- When tightening threaded fittings, use care not to over-torque the fitting as this may damage the fitting and cause a leak or other failure.
- Use tube inserts with soft tube and/or tube used in applications with high water temperature up to 65°C.

CHEMICAL RESISTANCE OF MATERIALS

Puretec fittings have a very good resistance to inorganic chemicals, oils and fats and synthetic detergents this allows these products to be used in a broad range of applications. Please call Puretec if you have any questions about your application.

✓ = Compatible x = Non-Compatible

Chemical (%)	Temp (°C)	Brass	SUS	Resin		Rubber	
				Acetal	PP	NBR	EPDM
Acetic Acid (10%)	20	x	✓	x	✓	✓	✓
Acetic Acid (100%)	20	x	x	x	x	-	-
Acetic Acid (50%)	20	x	✓	x	✓	-	-
Acetic Acid (50%)	70	x	✓	x	x	-	-
Acetone	20	✓	x	✓	x	x	✓
Air	20	✓	✓	✓	✓	✓	✓
Aluminium Sulfate	20	x	x	✓	✓	✓	✓
Animal Oil (Lard Oil)	20	✓	-	✓	✓	✓	✓
Ammonia	20	x	✓	✓	✓	✓	✓
Ammonium Chloride	20	x	x	✓	✓	✓	✓
Ammonium Nitric	20	x	✓	✓	✓	✓	✓
Ammonium Phosphate	20	x	x	✓	✓	✓	✓
Benzene (Benzol)	20	x	x	✓	x	x	x
Boric Acid	20	✓	✓	✓	✓	✓	✓
Bunker Oil	20	x	-	-	✓	✓	-
Butane	20	✓	✓	✓	✓	✓	x
Calcium Chloride	20	✓	x	✓	✓	✓	✓
Calcium Hydroxide	20	x	x	✓	✓	✓	✓
Carbon Tetrachloride	20	x	x	✓	x	x	x
Castor Oil	20	✓	✓	✓	✓	✓	✓
Caustic Soda (10%)	20	x	x	✓	✓	✓	✓
Chromic Acid (10%)	70	x	x	x	x	-	-
Chromic Acid (2%)	70	x	x	x	x	-	-
Chromic Acid (2%)	50	x	x	x	x	x	✓
Chromic Acid (25%)	70	x	x	x	x	-	-
Cresol	20	✓	x	x	✓	x	x
Ethyl Alcohol (Ethanol)	20	✓	✓	✓	✓	✓	✓
Fluorine	20	x	x	x	x	-	x
Formic Acid (25%)	20	x	x	x	✓	✓	✓
Gasoline	20	✓	✓	✓	x	✓	x
Glucose	20	✓	✓	✓	✓	✓	✓
Glycerin	20	✓	✓	✓	✓	✓	✓
Grease	20	✓	✓	✓	x	✓	x
Hydrochloric Acid (10%)	20	x	x	x	✓	-	-
Hydrochloric Acid (20%)	20	x	x	x	✓	-	-
Hydrochloric Acid (20%)	80	x	x	x	x	x	x
Hydrochloric Acid (38%)	20	x	x	x	✓	✓	✓
Hydrogen	20	x	✓	✓	✓	✓	✓
Hydrogen Sulfide	20	x	x	✓	✓	x	✓
Kalium Chloride	20	x	x	✓	✓	✓	✓
Kerosene	20	✓	✓	✓	✓	✓	x

✓ = Compatible x = Non-Compatible

Chemical (%)	Temp (°C)	Brass	SUS	Resin		Rubber	
				Acetal	PP	NBR	EPDM
Ketones	20	✓	✓	✓	✓	-	✓
Liquefied Petroleum Gas (LPG)	20	✓	✓	✓	✓	✓	x
Lye Solution	20	-	-	✓	✓	✓	✓
Mercury	20	x	-	-	✓	✓	✓
Methane	20	✓	✓	✓	✓	✓	x
Methyl Alcohol (Methanol)	20	✓	x	✓	✓	✓	✓
Mineral Oil	20	✓	✓	✓	✓	✓	x
Naphtha	20	x	✓	✓	x	x	x
Natural Gas	20	✓	✓	✓	✓	✓	x
Nitrogen	20	✓	✓	✓	✓	✓	✓
Olive Oil	20	x	✓	✓	✓	✓	✓
Oxygen	20	✓	✓	✓	✓	✓	✓
Ozone	20	✓	✓	x	x	✓	✓
Petroleum	20	x	x	✓	x	✓	x
Potassium Sulfate	20	✓	x	✓	✓	✓	✓
Propane	20	✓	✓	✓	✓	✓	x
Salt Water	20	x	x	x	✓	-	-
Sea Water	20	x	✓	✓	✓	-	-
Silicone Greases	20	-	-	✓	x	✓	✓
Silicone Oil	20	-	-	✓	x	✓	✓
Soda Ash (Sodium Carbonate)	20	✓	x	✓	✓	✓	✓
Sodium Cyanide	20	x	-	-	-	✓	✓
Sodium Phosphate	20	x	x	✓	✓	✓	✓
Sodium Silicate	20	✓	-	✓	✓	✓	✓
Soybean Oil	20	x	✓	✓	✓	✓	x
Steam	150	✓	-	x	x	x	✓
Sulfur	20	x	✓	✓	✓	x	✓
Sulfuric Acid (10%)	20	x	x	x	✓	x	✓
Sulfuric Acid (10%)	70	x	x	x	x	-	-
Sulfuric Acid (30%)	20	x	x	x	✓	-	-
Sulfuric Acid (30%)	70	x	x	x	x	-	-
Sulfuric Acid (98%)	20	x	x	x	x	-	-
Sulfurous Acid Gas	20	-	-	x	✓	✓	✓
Toluene	20	✓	✓	✓	x	x	x
Vegetable Oil	20	-	-	✓	✓	✓	✓
Water	20	✓	✓	✓	✓	✓	✓
Water	100	x	✓	x	x	-	-